



YESIR

end-to-end HVAC&R Solution Partner





YESIR

end-to-end HVAC&R Solution Partner

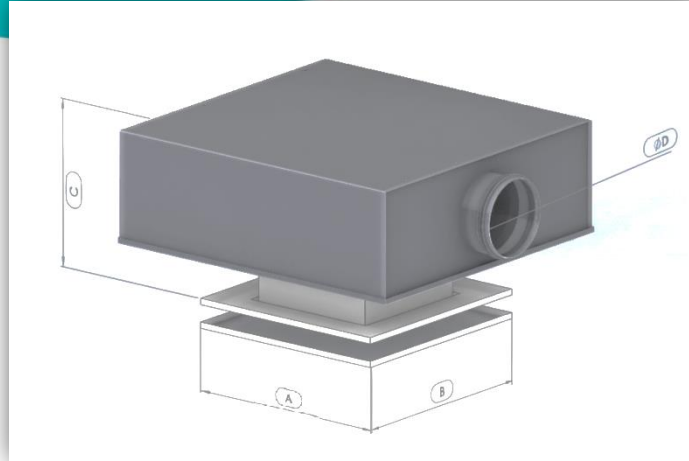
CABIN UNITS





YESIR

end-to-end HVAC&R Solution Partner



NO	TYPE	AIR FLOW RATE	DIMENSION			
			A	B	C	D
1	CU 250	250 m ³ /h	322 mm	322 mm	252 mm	120 mm
2	CU 350	350 m ³ /h	322 mm	322 mm	295 mm	152 mm
3	CU 450	450 m ³ /h	322 mm	322 mm	295 mm	152 mm

Cabin units are designed for air distribution in the cabins. Each unit consists of an anemostat (diffuser) and a plenum box. The airflow rate can be easily adjusted using the regulation mechanism located inside the plenum box. The anemostat color is RAL 9016 color. Different colors can be applied optionally. Please contact us for more details. rfq@yesir.com.tr